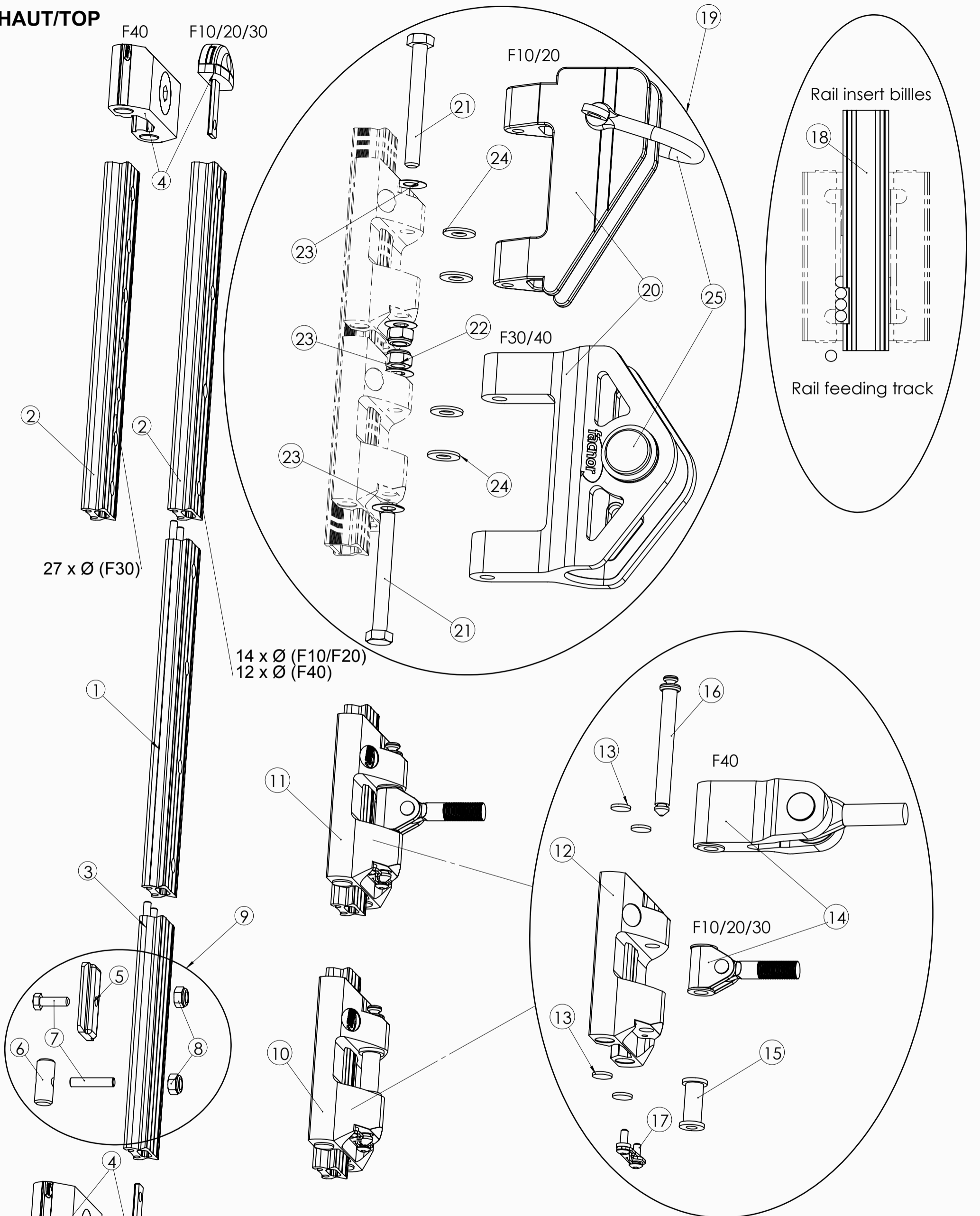


HAUT/TOP

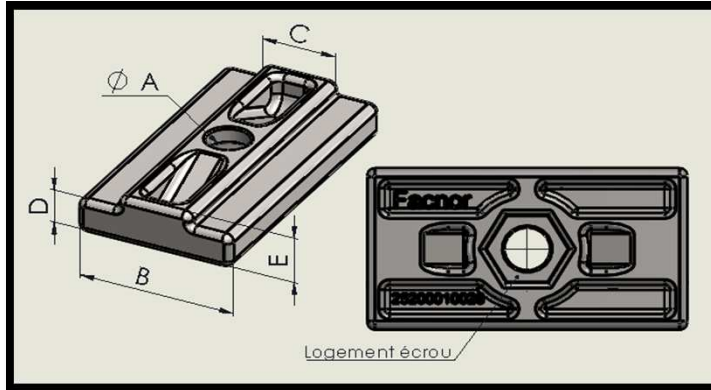


BAS/BOTTOM

Ind Vers.	Date	Auteur Author	Vérificat° Approved	Description de la modification: Change description:
FAC+01 FACSLIDE+ SPARE PARTS PIECE DETACHEES FACSLIDE+				 A4 Ech/Sc:
Date: 31/03/2009		Tol. Gén.:		Etude/project 31032009YD01
Auteur: Y. Doucet		Matière: Material:		Prod°:
Appr.:		Finition/Finishing		Indice/Version:
Ce plan est la propriété intellectuelle de FACNOR SAS. Il ne peut être divulgué à des tiers sans notre autorisation écrite, ni servir à d'autres fabrications. This drawing strictly belongs to FACNOR SAS. It cannot be disclosed without our written authorization nor can it be used for other manufactures.				

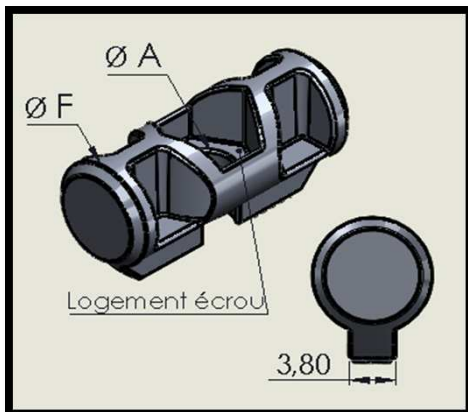
FACNOR S.A.S
 Parc d'Activités - B.P. 222
 F-50550 St-VAAST-LA-HOUGUE
 tel. +33 (0)2 33 88 50 22
 fax. +33 (0)2 33 23 14 27

DESCRIPTIF ET DIMENSIONS DES PLATINES DE FIXATION
INFORMATION AND DIMENSIONS OF THE SLUGS AND SCREWS

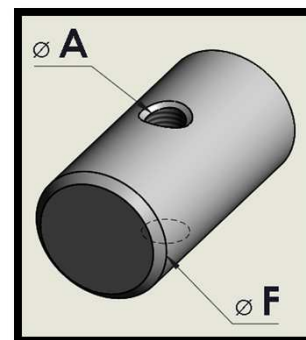


Platine n° 1 / Slug n° 1
Platine n° 2 / Slug n° 2
Platine n° 3 / Slug n° 3

	25200010026	25200010028	25200010030	25200010032
	Platine n° 1	Platine n° 2	Platine n° 3	Platine n° 3
	Slug n° 1	Slug n° 2	Slug n° 3	Slug n° 3
A	5 mm	5 mm	5 mm	6 mm
B	16 mm	19 mm	23,9 mm	23,9 mm
C	9 mm	9 mm	12,5 mm	12,5 mm
D	4 mm	4,3 mm	4,8 mm	4,8 mm
E	6,3 mm	6 mm	7,8 mm	7,8 mm



Platine Ø 10 mm / Ø 10 mm slug



Platine Ø 8 mm / Ø 8 mm slug
Platine Ø 14 mm / Ø 14 mm slug
Platine Ø 16 mm / Ø 16 mm slug

	28051005080	25200010033	28051005140	28051006160
	Platine Ø 8	Platine Ø 10	Platine Ø 14	Platine Ø 16
	Ø 8 mm slug	Ø 10 mm slug	Ø 14 mm slug	Ø 16 mm slug
A	M5	M5	M5	M5-M6
F	8 mm	10 mm	14 mm	16 mm

F10+ FACSLIDE LISTE PIEC.DETACH.
ECLATES# FAC+01/CF12

Rep	Référence	Désignation	Prix Public Unitaire H.T.
01	54011000001	RAIL GVL 2M FR25X15 SEUL+PIGES F10/20/30 FACSLIDE+	82.58€
01+9	54011010000	RAIL GVL 2M FR25X15+PL1-16MM** F10/20/30 FACSLIDE+	113.88€
01+9	54011020000	RAIL GVL 2M FR25X15+PL2-19MM** F10/20/30 FACSLIDE+	113.88€
01+9	54011030000	RAIL GVL 2M FR25X15+PL3-23MM** F10/20/30 FACSLIDE+	113.88€
01+9	54011100000	RAIL GVL 2M FR25X15+PL10**** F10/20/30 FACSLIDE+	113.88€
01+9	54011100005	RAIL GVL 2M FR25X15+PL10 VIS DECOLT.F10/20/30 FACSLIDE+	113.88€
01+9	54011140000	RAIL GVL 2M FR25X15+PL14***** F10/20/30 FACSLIDE+	113.88€
01+9	54011140005	RAIL GVL 2M FR25X15+PL14VIS RE VIS DECOLT.F10/20/30 FACSLIDE+	113.88€
02	54011000000	RAIL GVL 2M FR25X15 SEUL FACSLIDE+	74.76€
02	54011001000	RAIL GVL 2M FR25X15 SEUL DBPRC F30 RL HT-F10/20 RL H RF FAC+	106.34€
02+9	54011011000	RAIL GVL 2M FR25X15 DBPRC+PL1 F10/20/30 FACSLIDE+	176.69€
02+9	54011021000	RAIL GVL 2M FR25X15 DBPRC+PL2 F10/20/30 FACSLIDE+	176.69€
02+9	54011031000	RAIL GVL 2M FR25X15 DBPRC+PL3 F10/20/30 FACSLIDE+	176.69€
02+9	54011101000	RAIL GVL 2M FR25X15 DBPRC+PL10 F10/20/30 FACSLIDE+	176.69€
02+9	54011101005	RAIL GVL 2M FR25X15 DBPRC+PL10 VIS DECOLLETE F10/20/30 FAC+	176.69€
02+9	54011140005	RAIL GVL 2M FR25X15+PL14VIS RE VIS DECOLT.F10/20/30 FACSLIDE+	113.88€
02+9	54011141000	RAIL GVL 2M FR25X15 DBPRC+PL14 F10/20/30 FACSLIDE+	176.69€
03	54013000000	RAIL CHARGEUR F25X15 L350 SEUL F10-20-30 FACSLIDE+	17.16€
03+9	54016010000	PORTE=RAIL CHARG L350+PL1 F10-20-30 FACSLIDE+	27.92€
03+9	54016020000	PORTE=RAIL CHARG L350+PL2 F10-20-30 FACSLIDE+	27.92€
03+9	54016030000	PORTE=RAIL CHARG L350+PL3 M5 F10-20-30 FACSLIDE+	27.92€
03+9	54016100000	PORTE=RAIL CHARG L350+PL D10 F10-20-30 FACSLIDE+	27.92€
03+9	54016100001	PORTE=RAIL CHARG L350+PL D10DC F10-20-30 FACSLIDE+ VIS DECOLLETE	27.92€
03+9	54016140000	PORTE=RAIL CHARG L350+PL D14 F10-20-30 FACSLIDE+	27.92€
04	54061010620	EMBOUT/BUTEE RAIL HAUT-BAS ML+ RAIL FR25X15 ML - FAC+-FAC S	8.13€
05	25200010026	PLATINE INOX PL1 M5 (D16)	2.84€
05	25200010028	PLATINE INOX PL2 M5 (D19)	2.96€
05	25200010030	PLATINE INOX PL3 M5 (D23) (SS PL3 M5 SLUG)	3.31€
06	25200010033	PLATINE INOX D10 M5	2.96€
06	25200010035	PLATINE INOX D14 M5	3.45€
06	51095080000	PLATINE ALU D08 M5 SEULE	2.58€
07	20002050160	VIS TH 05X16 A2/PL1+2 INOX	0.46€
07	20002050180	VIS TH 05X18 A2/PL3 INOX	1.28€
07	20002050200	VIS TH 05X20 A2/PLD10-14MM INOX	0.71€
07	20009052000	VIS STHC 05X20/PLD08 INOX	0.69€
07	20009052500	VIS STHC 05X25 BOUT CUVETE/PLD08 INOX ISO 4029	1.20€
07	20009052501	VIS STHC 05X25REPRIS CTRE3.2/PLD14 INOX	2.07€
07	20052052002	VIS TH 05X20 CORPS REPRISE/PLD10 INOX	0.94€
07	20059050200	VIS STHC 05X20 REP3.8MM/PLD08	1.38€
08	20005050000	ECROU FREIN A2 M5	0.35€
09	51094015161	KIT FIX PL Nø1+VIS5X16+ECR KIT FIX RAIL FR25*15 FACSLIDE+	5.66€

F10+ FACSLIDE LISTE PIEC.DETACH.
ECLATES# FAC+01/CF12

Rep	Référence	Désignation	Prix Public Unitaire H.T.
09	51094025161	KIT FIX PL Nø2+VIS5X16+ECR KIT FIX RAIL FR25*15 FACSLIDE+	5.85€
09	51094035180	KIT FIX PL Nø3+VIS5X18+ECRM5 KIT FIX RAIL FR25*15 FACSLIDE+	4.80€
09	51095085201	KIT FIX PL D08+VIS5X20+ECR KIT FIXATION RAILS	6.74€
09	51095085251	KIT FIX PL D08+VIS5X20RE+E KIT FIXATION RAILS	6.65€
09	51095105200	KIT FIX PL D10+VISTH5X20+ECRO KIT FIX RAIL FR25*15 FACSLIDE+	4.00€
09	51095105201	KIT FIX PL D10+VISTH5X20RE+EC KIT FIX RAIL FR25*15 FACSLIDE+	4.15€
09	51095145250	KIT FIX PL D14+VIS 5X20+ECRO KIT FIX RAIL FR25*15 FACSLIDE+	5.57€
09	51095145251	KIT FIX PL D14+VIS REP 5X20+EC KIT FIX RAIL FR25*15 FACSLIDE+	6.50€
10	54031100600	CHARIOT FI10+ TORLON INTER**** FACSLIDE+	84.77€
11	54021100600	CHARIOT FL10+ TORLON M10**** FACSLIDE+	130.26€
12	54051100601	CHARIOT L064MM+TORLON SANS AXE INTER-FI10+ / 34 BILLES	72.47€
12	54051200601	CHARIOT L074MM+TORLON SANS AXE M10-FT10 FL10 FI20/40 BILLES+	81.63€
13	54059000010	SAC AMORTISSEURx4 (1 CHARIOT)	1.07€
14	54075241005	CARDAN 24MM 06 M10 GVL09+ (FL10/FL20)	32.98€
15	28026271006	BAGUE SANGLE GVL 06X27 FI10-20 POM-C NOIR	6.43€
16	28084060443	AXE RAPIDE D6 LG 44.8 POLI CHARIOT FI10	14.69€
16	28084060503	AXE RAPIDE D6 LG 50.65 POLI CHARIOT FL10-FI20	15.26€
17	54058000001	DISPOSITIF RESSORT FI+FL 10+20 POUR CHARIOT FACSLIDE+	9.51€
18	54019000635	RAIL INSERT BILLES F10-20-30	8.69€
19	54041100600	CHARIOT TETIERE FT10+ TORLON FACSLIDE+FACSLIDE S	285.44€
20	54057120600	SUPPORT TETIEREF10/F20+MANILLE	102.21€
21	20001060580	VIS THPF 06X58(70) FT10+/FT10-FL10-FI20 INOX / ANCIEN FT10-FL10-FI20	2.81€
22	20005060000	ECROU FREIN A2 M6	0.14€
23	33015100611	RONDELLE NYLON 06.1X11.0 Ep1 L60-130	0.14€
24	33015100611	RONDELLE NYLON 06.1X11.0 Ep1 L60-130	0.14€
25	31001270800	MANILLE LARGE D08MM	34.31€
26	14098016300	BILLE TORLON 06.35MM F10-20/CF80-105 CAR	1.15€

F20+ FACSLIDE LISTE PIEC.DETACH.
ECLATES# FAC+01/CF12

Rep	Référence	Désignation	Prix Public Unitaire H.T.
01	54011000001	RAIL GVL 2M FR25X15 SEUL+PIGES F10/20/30 FACSLIDE+	82.58€
01+9	54011010000	RAIL GVL 2M FR25X15+PL1-16MM** F10/20/30 FACSLIDE+	113.88€
01+9	54011020000	RAIL GVL 2M FR25X15+PL2-19MM** F10/20/30 FACSLIDE+	113.88€
01+9	54011030000	RAIL GVL 2M FR25X15+PL3-23MM** F10/20/30 FACSLIDE+	113.88€
01+9	54011100000	RAIL GVL 2M FR25X15+PL10**** F10/20/30 FACSLIDE+	113.88€
01+9	54011100005	RAIL GVL 2M FR25X15+PL10 VIS DECOLT.F10/20/30 FACSLIDE+	113.88€
01+9	54011140000	RAIL GVL 2M FR25X15+PL14**** F10/20/30 FACSLIDE+	113.88€

F20+ FACSLIDE LISTE PIEC.DETACH.
ECLATES# FAC+01/CF12

Rep	Référence	Désignation	Prix Public Unitaire H.T.
01+9	54011140005	RAIL GVL 2M FR25X15+PL14VIS RE VIS DECOLT.F10/20/30 FACSLIDE+	113.88€
02	54011000000	RAIL GVL 2M FR25X15 SEUL FACSLIDE+	74.76€
02	54011001000	RAIL GVL 2M FR25X15 SEUL DBPRC F30 RL HT-F10/20 RL H RF FAC+	106.34€
02+9	54011011000	RAIL GVL 2M FR25X15 DBPRC+PL1 F10/20/30 FACSLIDE+	176.69€
02+9	54011021000	RAIL GVL 2M FR25X15 DBPRC+PL2 F10/20/30 FACSLIDE+	176.69€
02+9	54011031000	RAIL GVL 2M FR25X15 DBPRC+PL3 F10/20/30 FACSLIDE+	176.69€
02+9	54011101000	RAIL GVL 2M FR25X15 DBPRC+PL10 F10/20/30 FACSLIDE+	176.69€
02+9	54011101005	RAIL GVL 2M FR25X15 DBPRC+PL10 VIS DECOLLETE F10/20/30 FAC+	176.69€
02+9	54011140005	RAIL GVL 2M FR25X15+PL14VIS RE VIS DECOLT.F10/20/30 FACSLIDE+	113.88€
02+9	54011141000	RAIL GVL 2M FR25X15 DBPRC+PL14 F10/20/30 FACSLIDE+	176.69€
03	54013000000	RAIL CHARGEUR F25X15 L350 SEUL F10-20-30 FACSLIDE+	17.16€
03+9	54016010000	PORTE=RAIL CHARG L350+PL1 F10-20-30 FACSLIDE+	27.92€
03+9	54016020000	PORTE=RAIL CHARG L350+PL2 F10-20-30 FACSLIDE+	27.92€
03+9	54016030000	PORTE=RAIL CHARG L350+PL3 M5 F10-20-30 FACSLIDE+	27.92€
03+9	54016100000	PORTE=RAIL CHARG L350+PL D10 F10-20-30 FACSLIDE+	27.92€
03+9	54016100001	PORTE=RAIL CHARG L350+PL D10DC F10-20-30 FACSLIDE+ VIS DECOLLETE	27.92€
03+9	54016140000	PORTE=RAIL CHARG L350+PL D14 F10-20-30 FACSLIDE+	27.92€
04	54061010620	EMBOUT/BUTEE RAIL HAUT-BAS ML+ RAIL FR25X15 ML - FAC+-FAC S	8.13€
05	25200010026	PLATINE INOX PL1 M5 (D16)	2.84€
05	25200010028	PLATINE INOX PL2 M5 (D19)	2.96€
05	25200010030	PLATINE INOX PL3 M5 (D23) (SS PL3 M5 SLUG)	3.31€
06	25200010033	PLATINE INOX D10 M5	2.96€
06	25200010035	PLATINE INOX D14 M5	3.45€
06	51095080000	PLATINE ALU D08 M5 SEULE	2.58€
07	20002050160	VIS TH 05X16 A2/PL1+2 INOX	0.46€
07	20002050180	VIS TH 05X18 A2/PL3 INOX	1.28€
07	20002050200	VIS TH 05X20 A2/PLD10-14MM INOX	0.71€
07	20009052000	VIS STHC 05X20/PLD08 INOX	0.69€
07	20009052500	VIS STHC 05X25 BOUT CUVETE/PLD08 INOX ISO 4029	1.20€
07	20009052501	VIS STHC 05X25REPRIS CTRE3.2/PLD14 INOX	2.07€
07	20052052002	VIS TH 05X20 CORPS REPRISE/PLD10 INOX	0.94€
07	20059050200	VIS STHC 05X20 REP3.8MM/PLD08	1.38€
08	20005050000	ECROU FREIN A2 M5	0.35€
09	51094015161	KIT FIX PL Nø1+VIS5X16+ECR KIT FIX RAIL FR25*15 FACSLIDE+	5.66€
09	51094025161	KIT FIX PL Nø2+VIS5X16+ECR KIT FIX RAIL FR25*15 FACSLIDE+	5.85€
09	51094035180	KIT FIX PL Nø3+VIS5X18+ECRM5 KIT FIX RAIL FR25*15 FACSLIDE+	4.80€
09	51095085201	KIT FIX PL D08+VIS5X20+ECR KIT FIXATION RAILS	6.74€
09	51095085251	KIT FIX PL D08+VIS5X20RE+E KIT FIXATION RAILS	6.65€
09	51095105200	KIT FIX PL D10+VISTH5X20+ECRO KIT FIX RAIL FR25*15 FACSLIDE+	4.00€
09	51095105201	KIT FIX PL D10+VISTH5X20RE+EC KIT FIX RAIL FR25*15 FACSLIDE+	4.15€
09	51095145250	KIT FIX PL D14+VIS 5X20+ECRO KIT FIX RAIL FR25*15 FACSLIDE+	5.57€

F20+ FACSLIDE LISTE PIEC.DETACH.
ECLATES# FAC+01/CF12

Rep	Référence	Désignation	Prix Public Unitaire H.T.
09	51095145251	KIT FIX PL D14+VIS REP 5X20+EC KIT FIX RAIL FR25*15 FACSLIDE+	6.50€
10	54031200600	CHARIOT FI20+ TORLON INTER**** FACSLIDE+	112.34€
11	54021200600	CHARIOT FL20+ TORLON M10**** FACSLIDE+	134.39€
12	54051200601	CHARIOT L074MM+TORLON SANS AXE M10-FT10 FL10 FI20/40 BILLES+	81.63€
12	54051300601	CHARIOT L084MM+TORLON SANS AXE M10-FT20 FL20+ /46 BILLES	108.65€
13	54059000010	SAC AMORTISSEURx4 (1 CHARIOT)	1.07€
14	54075241005	CARDAN 24MM 06 M10 GVL09+ (FL10/FL20)	32.98€
15	28026271006	BAGUE SANGLE GVL 06X27 FI10-20 POM-C NOIR	6.43€
16	28084060503	AXE RAPIDE D6 LG 50.65 POLI CHARIOT FL10-FI20	15.26€
16	28084060603	AXE RAPIDE D6 LG 60 POLI CHARIOT FL20	15.82€
17	54058000001	DISPOSITIF RESSORT FI+FL 10+20 POUR CHARIOT FACSLIDE+	9.51€
18	54019000635	RAIL INSERT BILLES F10-20-30	8.69€
19	54041200600	CHARIOT TETIERE FT20+ TORLON FACSLIDE+FACSLIDE S	291.06€
20	54057120600	SUPPORT TETIEREF10/F20+MANILLE	102.21€
21	20001060670	VIS THPF 06X67 (75) FT20+ INOX	4.15€
22	20005060000	ECROU FREIN A2 M6	0.14€
23	33015100814	RONDELLE NYLON 08.3X14.0 Ep1 FT10-40+ // L165-290	0.43€
24	33015100814	RONDELLE NYLON 08.3X14.0 Ep1 FT10-40+ // L165-290	0.43€
25	31001270800	MANILLE LARGE D08MM	34.31€
26	14098016300	BILLE TORLON 06.35MM F10-20/CF80-105 CAR	1.15€

F30+ FACSLIDE LISTE PIEC.DETACHEES
ECLATES# FAC+01/CF12

Rep	Référence	Désignation	Prix Public Unitaire H.T.
01	54011000001	RAIL GVL 2M FR25X15 SEUL+PIGES F10/20/30 FACSLIDE+	82.58€
01+9	54011010000	RAIL GVL 2M FR25X15+PL1-16MM** F10/20/30 FACSLIDE+	113.88€
01+9	54011020000	RAIL GVL 2M FR25X15+PL2-19MM** F10/20/30 FACSLIDE+	113.88€
01+9	54011030000	RAIL GVL 2M FR25X15+PL3-23MM** F10/20/30 FACSLIDE+	113.88€
01+9	54011100000	RAIL GVL 2M FR25X15+PL10**** F10/20/30 FACSLIDE+	113.88€
01+9	54011100005	RAIL GVL 2M FR25X15+PL10 VIS DECOLT.F10/20/30 FACSLIDE+	113.88€
01+9	54011140000	RAIL GVL 2M FR25X15+PL14***** F10/20/30 FACSLIDE+	113.88€
01+9	54011140005	RAIL GVL 2M FR25X15+PL14VIS RE VIS DECOLT.F10/20/30 FACSLIDE+	113.88€
02	54011001000	RAIL GVL 2M FR25X15 SEUL DBPRC F30 RL HT-F10/20 RL H RF FAC+	106.34€
03	54013000000	RAIL CHARGEUR F25X15 L350 SEUL F10-20-30 FACSLIDE+	17.16€
03+9	54016010000	PORTE=RAIL CHARG L350+PL1 F10-20-30 FACSLIDE+	27.92€
03+9	54016020000	PORTE=RAIL CHARG L350+PL2 F10-20-30 FACSLIDE+	27.92€
03+9	54016030000	PORTE=RAIL CHARG L350+PL3 M5 F10-20-30 FACSLIDE+	27.92€
03+9	54016100000	PORTE=RAIL CHARG L350+PL D10 F10-20-30 FACSLIDE+	27.92€

F30+ FACSLIDE LISTE PIEC.DETACHEES
ECLATES# FAC+01/CF12


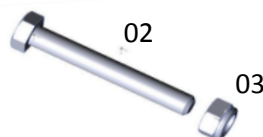



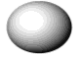


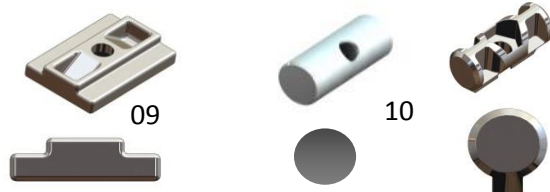


Rep	Référence	Désignation	Prix Public Unitaire H.T.
03+9	54016100001	PORTE=RAIL CHARG L350+PL D10DC F10-20-30 FACSLIDE+ VIS DECOLLETE	27.92€
03+9	54016140000	PORTE=RAIL CHARG L350+PL D14 F10-20-30 FACSLIDE+	27.92€
04	54061010620	EMBOUT/BUTEE RAIL HAUT-BAS ML+ RAIL FR25X15 ML - FAC+-FAC S	8.13€
05	25200010026	PLATINE INOX PL1 M5 (D16)	2.84€
05	25200010028	PLATINE INOX PL2 M5 (D19)	2.96€
05	25200010030	PLATINE INOX PL3 M5 (D23) (SS PL3 M5 SLUG)	3.31€
06	25200010033	PLATINE INOX D10 M5	2.96€
06	25200010035	PLATINE INOX D14 M5	3.45€
06	51095080000	PLATINE ALU D08 M5 SEULE	2.58€
07	20002050160	VIS TH 05X16 A2/PL1+2 INOX	0.46€
07	20002050180	VIS TH 05X18 A2/PL3 INOX	1.28€
07	20002050200	VIS TH 05X20 A2/PLD10-14MM INOX	0.71€
07	20009052000	VIS STHC 05X20/PLD08 INOX	0.69€
07	20009052500	VIS STHC 05X25 BOUT CUVETE/PLD08 INOX ISO 4029	1.20€
07	20009052501	VIS STHC 05X25REPRIS CTRE3.2/PLD14 INOX	2.07€
07	20052052002	VIS TH 05X20 CORPS REPRISE/PLD10 INOX	0.94€
07	20059050200	VIS STHC 05X20 REP3.8MM/PLD08	1.38€
08	20005050000	ECROU FREIN A2 M5	0.35€
09	51094015161	KIT FIX PL Nø1+VIS5X16+ECR KIT FIX RAIL FR25*15 FACSLIDE+	5.66€
09	51094025161	KIT FIX PL Nø2+VIS5X16+ECR KIT FIX RAIL FR25*15 FACSLIDE+	5.85€
09	51094035180	KIT FIX PL Nø3+VIS5X18+ECRM5 KIT FIX RAIL FR25*15 FACSLIDE+	4.80€
09	51095085201	KIT FIX PL D08+VIS5X20+ECR KIT FIXATION RAILS	6.74€
09	51095085251	KIT FIX PL D08+VIS5X20RE+E KIT FIXATION RAILS	6.65€
09	51095105200	KIT FIX PL D10+VISTH5X20+ECRO KIT FIX RAIL FR25*15 FACSLIDE+	4.00€
09	51095105201	KIT FIX PL D10+VISTH5X20RE+EC KIT FIX RAIL FR25*15 FACSLIDE+	4.15€
09	51095145250	KIT FIX PL D14+VIS 5X20+ECRO KIT FIX RAIL FR25*15 FACSLIDE+	5.57€
09	51095145251	KIT FIX PL D14+VIS REP 5X20+EC KIT FIX RAIL FR25*15 FACSLIDE+	6.50€
10	54031300600	CHARIOT FI30+ TORLON INTER**** FACSLIDE+	153.56€
11	54021300600	CHARIOT FL30+ TORLON M10**** FACSLIDE+	193.93€
12	54051400601	CHARIOT L094MM+TORLON SANS AXE M10-FT30 FL30 FI30+/40 BILLES	130.86€
13	54059000010	SAC AMORTISSEURx4 (1 CHARIOT)	1.07€
14	54077241005	CARDAN 24MM 08 M10 GVL09+ (FL30)	32.98€
15	28026271008	BAGUE SANGLE FI30 08X27	15.88€
16	28084080653	AXE RAPIDE D8 LG 65.8 POLI CHARIOT FI30/FL30	23.59€
17	54058000003	DISPOSITIF RESSORT FI+FL 30+40 POUR CHARIOT FACSLIDE+	10.30€
18	54019000635	RAIL INSERT BILLES F10-20-30	8.69€
19	54041300600	CHARIOT TETIERE FT30+ TORLON FACSLIDE+FACSLIDE S	444.30€
20	54057300600	SUPPORT TETIEREF30+AXE	224.80€
21	20001080760	VIS THPF 08X76 (80) FT30+ INOX	6.86€
22	20005060000	ECROU FREIN A2 M6	0.14€
23	33015100814	RONDELLE NYLON 08.3X14.0 Ep1 FT10-40+ // L165-290	0.43€

F30+ FACSLIDE LISTE PIEC.DETACHEES
ECLATES# FAC+01/CF12

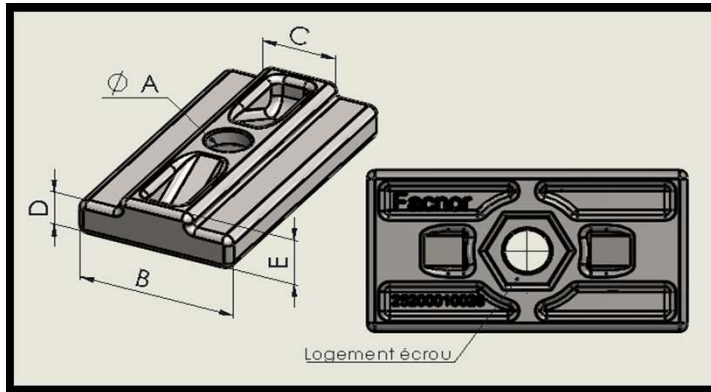
Rep	Référence	Désignation	Prix Public Unitaire H.T.
24	33015100814	RONDELLE NYLON 08.3X14.0 Ep1 FT10-40+ // L165-290	0.43€
25	54056300600	AXE TETIERE F30 COMPLET	43.19€
26	14098017900	BILLE TORLON 07.94MM F30-40	1.29€

F40+ FACSLIDE LISTE PIEC.DETACHEES
ECLATES# FAC+01/CF12

Rep	Référence	Désignation	Prix Public Unitaire H.T.
01	54008000171	RAIL F40 1.7M D6 SEUL F40 FACNOR	152.24€
01+9	54008030170	RAIL F40 1.7M PL3	179.29€
01+9	54008160170	RAIL F40 1.7M PL16	179.29€
02	54008000171	RAIL F40 1.7M D6 SEUL F40 FACNOR	152.24€
03	54009001030	PORTE=RAIL CHARG 30X17F40L350S F40+	21.67€
04	54060041006	BUTEE RAIL F40 EXTRUDEE HAUT+BAS	60.03€
05	25200010032	PLATINE INOX PL3 M6 (D23) (SS PL3 M6 SLUG)	4.47€
06	28051006160	PLATINE ALU D16 M6	5.13€
07	20002060200	VIS TH 06X20 A2/PL3 INOX	0.60€
07	20009063000	VIS STHC 06X30 BOUT PLAT/PLD16 INOX	1.19€
08	20005060000	ECROU FREIN A2 M6	0.14€
09	51094036200	KIT FIX PL Nø3+VIS6X20+ECRM6 KIT FIX RAILS F40 FACSLIDE +	5.44€
09	51095166300	KIT FIX PL D16+VIS 6X30 +ECR KIT FIX RAIL F40 FACSLIDE+	6.27€
10	54031400600	CHARIOT FI40+ TORLON INTER**** FACSLIDE+	190.29€
11	54021400600	CHARIOT FL40+ TORLON M12*** FACSLIDE+	377.02€
12	54051500601	CHARIOT L140MM+TORLON SANS AXE FT40 FL40+ / 62 BILLES	185.74€
12	54051800610	CHARIOT L085MM+TORLON SANS AXE INTER-FI40+ / 34 BILLES	137.88€
14	54079401208	CARDAN F40 08 M12 LU65 GVL+ EQ** EQUIPE	143.88€
15	28026271009	BAGUE SANGLE FI40 INTER	23.32€
16	28085080453	AXE RAPIDE D8 LG 45 POLI CHARIOT FI40	23.31€
16	28085081003	AXE RAPIDE D8 LG 100 POLI CHARIOT FL40	28.14€
17	54058000003	DISPOSITIF RESSORT FI+FL 30+40 POUR CHARIOT FACSLIDE+	10.30€
18	54019000794	RAIL INSERT BILLES F40	10.20€
19	54041400600	CHARIOT TETIERE FT40+ TORLON FACSLIDE+FACSLIDE S	774.20€
20	54057400600	SUPPORT TETIEREF40+AXE	324.24€
21	20001081201	VIS THPF 08X111 (120) ANC FT40-FL40 INOX / ANCIEN FT40-FL40	9.11€
22	20005080000	ECROU FREIN A2 M8	0.34€
23	33015100814	RONDELLE NYLON 08.3X14.0 Ep1 FT10-40+ // L165-290	0.43€
24	33015100814	RONDELLE NYLON 08.3X14.0 Ep1 FT10-40+ // L165-290	0.43€
25	54056400600	AXE TETIERE F40 COMPLET	49.95€
26	14098017900	BILLE TORLON 07.94MM F30-40	1.29€

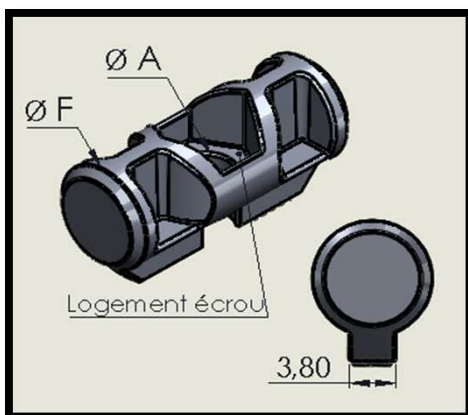
REP	IMAGE / PICTURE	DESCRIPTION
1		Axe rapide chariot / Quick release pin for car
2+3		Vis 02 + écrou 03 remplaçant l'axe rapide / Screw 02 + bolt 03 replacing quick release pin
4		Bague sangle / Plastic sleeve
5		Rondelle plastique / Plastic washer
6		Cardan / Toggle
Nbre de billes / chariot Nber of balls / car	FT 07 (84) - FT 10 (80) - FT 20 (92) - FT30 (84) - FT40 (124) FL 07 (42) - FL 10 (40) - FL 20 (46) - FL30 (42) - Fi 07 (42) - Fi 10 (34) - Fi 20 (40) - Fi 30 (42) -	
7	 Delrin - blanc / white  Torlon - marron / brown	Billes / Balls
8		Rondelle amort / Rubber car protection
Nbre de platines / rail Nber of slugs / track	5x platines sur rail 30 cm / 5x slugs on rail de 30cm track 12 platines sur rail 1,7m/ 12x slugs on 1.7m track 14x platines sur rail 2 m/ 14x slugs on 2m track	
9+10		Platine plate 09 et ronde 10 / Slug flat 09 and round 10
11		Vis platine / Screw for slug
12		Écrou frein et bague taraudée / Nylstop nut and special nut facslide

DESCRIPTIF ET DIMENSIONS DES PLATINES DE FIXATION
INFORMATION AND DIMENSIONS OF THE SLUGS AND SCREWS

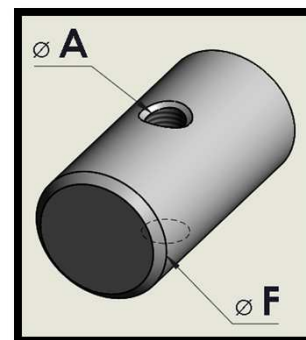


Platine n° 1 / Slug n° 1
Platine n° 2 / Slug n° 2
Platine n° 3 / Slug n° 3

	25200010026	25200010028	25200010030	25200010032
	Platine n° 1	Platine n° 2	Platine n° 3	Platine n° 3
	Slug n° 1	Slug n° 2	Slug n° 3	Slug n° 3
A	5 mm	5 mm	5 mm	6 mm
B	16 mm	19 mm	23,9 mm	23,9 mm
C	9 mm	9 mm	12,5 mm	12,5 mm
D	4 mm	4,3 mm	4,8 mm	4,8 mm
E	6,3 mm	6 mm	7,8 mm	7,8 mm



Platine Ø 10 mm / Ø 10 mm slug



Platine Ø 8 mm / Ø 8 mm slug
Platine Ø 14 mm / Ø 14 mm slug
Platine Ø 16 mm / Ø 16 mm slug

	28051005080	25200010033	28051005140	28051006160
	Platine Ø 8	Platine Ø 10	Platine Ø 14	Platine Ø 16
	Ø 8 mm slug	Ø 10 mm slug	Ø 14 mm slug	Ø 16 mm slug
A	M5	M5	M5	M5-M6
F	8 mm	10 mm	14 mm	16 mm

F10 ANCIEN FACSLIDE/ PIEC.DETACHEES
ECLATES# ANCIEN FAC01/CF12

Rep	Référence	Désignation	Prix Public Unitaire H.T.
02	20001060480	VIS THPF 06X48 (60)/ANCIEN FI10/F07 INOX / ANCIEN FI10/F07	4.90€
02	20001060580	VIS THPF 06X58(70) FT10+/FT10-FL10-FI20 INOX / ANCIEN FT10-FL10-FI20	2.81€
03	20005060000	ECROU FREIN A2 M6	0.14€
04	28026271006	BAGUE SANGLE GVL 06X27 FI10-20 POM-C NOIR	6.43€
05	33015100600	RONDELLE PLASTIQUE 06 KB FT07-FT10-FT20 ANCIEN	0.44€
06	54075241005	CARDAN 24MM 06 M10 GVL09+ (FL10/FL20)	32.98€
07	14098016300	BILLE TORLON 06.35MM F10-20/CF80-105 CAR	1.15€
08	54059000010	SAC AMORTISSEURx4 (1 CHARIOT)	1.07€
09	25200010026	PLATINE INOX PL1 M5 (D16)	2.84€
09	25200010028	PLATINE INOX PL2 M5 (D19)	2.96€
09	25200010030	PLATINE INOX PL3 M5 (D23) (SS PL3 M5 SLUG)	3.31€
10	25200010033	PLATINE INOX D10 M5	2.96€
10	25200010035	PLATINE INOX D14 M5	3.45€
10	51095080000	PLATINE ALU D08 M5 SEULE	2.58€
11	20002050180	VIS TH 05X18 A2/PL3 INOX	1.28€
11	20009052500	VIS STHC 05X25 BOUT CUVETE/PLD08 INOX ISO 4029	1.20€
11	20009052501	VIS STHC 05X25REPRIS CTRE3.2/PLD14 INOX	2.07€
12	28080050600	BAGUE TARAUEE M5 CSP6MM	4.04€
NA	54010000000	RAIL GVL 1.7M SEUL F10/20/30	77.01€
NA	54010010000	RAIL GVL 1.7M + PL1 F10/20/30	140.87€
NA	54010020000	RAIL GVL 1.7M + PL2 F10/20/30	140.87€
NA	54010030000	RAIL GVL 1.7M + PL3 F10/20/30	140.87€
NA	54010080000	RAIL GVL 1.7M + PL D08 F10/20/30	140.87€
NA	54010100000	RAIL GVL 1.7M + PL D10 F10/20/30	140.87€
NA	54010160000	RAIL GVL 1.7M + PL D16 F10/20/30	140.87€

F20 ANCIEN FACSLIDE/ PIEC.DETACHEES
ECLATES# ANCIEN FAC01/CF12

Rep	Référence	Désignation	Prix Public Unitaire H.T.
01	28081060780	AXE INOX+AGRAPHÉ 06 L78 FL20	14.76€
02	20001060580	VIS THPF 06X58(70) FT10+/FT10-FL10-FI20 INOX / ANCIEN FT10-FL10-FI20	2.81€
02	20001060700	VIS THPF 06X70 (18MMFILET) FT20-FL20 DIN 931 INOX / ANCIEN FT20-FL20	1.98€
03	20005060000	ECROU FREIN A2 M6	0.14€
04	28026271006	BAGUE SANGLE GVL 06X27 FI10-20 POM-C NOIR	6.43€
05	33015100600	RONDELLE PLASTIQUE 06 KB FT07-FT10-FT20 ANCIEN	0.44€
06	54075241005	CARDAN 24MM 06 M10 GVL09+ (FL10/FL20)	32.98€
07	14098016300	BILLE TORLON 06.35MM F10-20/CF80-105 CAR	1.15€
08	54059000010	SAC AMORTISSEURx4 (1 CHARIOT)	1.07€

F20 ANCIEN FACSLIDE/ PIEC.DETACHEES
ECLATES# ANCIEN FAC01/CF12

Rep	Référence	Désignation	Prix Public Unitaire H.T.
09	25200010026	PLATINE INOX PL1 M5 (D16)	2.84€
09	25200010028	PLATINE INOX PL2 M5 (D19)	2.96€
09	25200010030	PLATINE INOX PL3 M5 (D23) (SS PL3 M5 SLUG)	3.31€
10	25200010033	PLATINE INOX D10 M5	2.96€
10	25200010035	PLATINE INOX D14 M5	3.45€
10	51095080000	PLATINE ALU D08 M5 SEULE	2.58€
11	20002050180	VIS TH 05X18 A2/PL3 INOX	1.28€
11	20009052500	VIS STHC 05X25 BOUT CUVETE/PLD08 INOX ISO 4029	1.20€
11	20009052501	VIS STHC 05X25REPRIS CTRE3.2/PLD14 INOX	2.07€
12	28080050600	BAGUE TARAUEE M5 CSP6MM	4.04€
NA	54010000000	RAIL GVL 1.7M SEUL F10/20/30	77.01€
NA	54010010000	RAIL GVL 1.7M + PL1 F10/20/30	140.87€
NA	54010020000	RAIL GVL 1.7M + PL2 F10/20/30	140.87€
NA	54010030000	RAIL GVL 1.7M + PL3 F10/20/30	140.87€
NA	54010080000	RAIL GVL 1.7M + PL D08 F10/20/30	140.87€
NA	54010100000	RAIL GVL 1.7M + PL D10 F10/20/30	140.87€
NA	54010160000	RAIL GVL 1.7M + PL D16 F10/20/30	140.87€

F30 ANCIEN FACSLIDE/ PIEC.DETACHEES
ECLATES# ANCIEN FAC01/CF12

Rep	Référence	Désignation	Prix Public Unitaire H.T.
01	28081080760	AXE INOX+AGRAPHES 08 L76 FL30-FI30	16.44€
02	20001080700	VIS THPF 08X70 ANC FT30-FL30-FI30 DIN 931 INOX / ANCIEN FT30-FL30-FI30	2.26€
03	20005080000	ECROU FREIN A2 M8	0.34€
04	28026271008	BAGUE SANGLE FI30 08X27	15.88€
05	33015100800	RONDELLE PLASTIQUE 08 GVL FT30-FT40 (8.2*16*1.5)	0.44€
06	54077241005	CARDAN 24MM 08 M10 GVL09+ (FL30)	32.98€
07	14098017900	BILLE TORLON 07.94MM F30-40	1.29€
08	54059000010	SAC AMORTISSEURx4 (1 CHARIOT)	1.07€
09	25200010026	PLATINE INOX PL1 M5 (D16)	2.84€
09	25200010028	PLATINE INOX PL2 M5 (D19)	2.96€
09	25200010030	PLATINE INOX PL3 M5 (D23) (SS PL3 M5 SLUG)	3.31€
10	25200010033	PLATINE INOX D10 M5	2.96€
10	25200010035	PLATINE INOX D14 M5	3.45€
10	28080050600	BAGUE TARAUEE M5 CSP6MM	4.04€
10	51095080000	PLATINE ALU D08 M5 SEULE	2.58€
11	20002050180	VIS TH 05X18 A2/PL3 INOX	1.28€
11	20009052500	VIS STHC 05X25 BOUT CUVETE/PLD08 INOX ISO 4029	1.20€

F30 ANCIEN FACSLIDE/ PIEC.DETACHEES
ECLATES# ANCIEN FAC01/CF12

Rep	Référence	Désignation	Prix Public Unitaire H.T.
11	20009052501	VIS STHC 05X25REPRIS CTRE3.2/PLD14 INOX	2.07€
12	28080050600	BAGUE TARAUEE M5 CSP6MM	4.04€
NA	54010000000	RAIL GVL 1.7M SEUL F10/20/30	77.01€
NA	54010001000	RAIL GVL 1.7M SEUL DBPRC F10/20/30	112.81€
NA	54010010000	RAIL GVL 1.7M + PL1 F10/20/30	140.87€
NA	54010011000	RAIL GVL 1.7M DBPRC + PL1 F10/20/30	176.69€
NA	54010020000	RAIL GVL 1.7M + PL2 F10/20/30	140.87€
NA	54010021000	RAIL GVL 1.7M DBPRC + PL2 F10/20/30	176.69€
NA	54010030000	RAIL GVL 1.7M + PL3 F10/20/30	140.87€
NA	54010031000	RAIL GVL 1.7M DBPRC + PL3 F10/20/30	176.69€
NA	54010100000	RAIL GVL 1.7M + PL D10 F10/20/30	140.87€
NA	54010101000	RAIL GVL 1.7M DBPRC + PL D10 F10/20/30	176.69€
NA	54010160000	RAIL GVL 1.7M + PL D16 F10/20/30	140.87€
NA	54010161000	RAIL GVL 1.7M DBPRC + PL D16 F10/20/30	176.69€

F40 ANCIEN FACSLIDE/ PIEC.DETACHEES
ECLATES# ANCIEN FAC01/CF12

Rep	Référence	Désignation	Prix Public Unitaire H.T.
02	20001080560	VIS THPF 08X56 (70) ANC FI40 INOX / ANCIEN FI40	10.08€
02	20001081201	VIS THPF 08X111 (120) ANC FT40-FL40 INOX / ANCIEN FT40-FL40	9.11€
03	20005080000	ECROU FREIN A2 M8	0.34€
04	28026271009	BAGUE SANGLE FI40 INTER	23.32€
05	33015100800	RONDELLE PLASTIQUE 08 GVL FT30-FT40 (8.2*16*1.5)	0.44€
06	54079401208	CARDAN F40 08 M12 LU65 GVL+ EQ** EQUIPE	143.88€
07	14098017900	BILLE TORLON 07.94MM F30-40	1.29€
08	20002060200	VIS TH 06X20 A2/PL3 INOX	0.60€
09	25200010032	PLATINE INOX PL3 M6 (D23) (SS PL3 M6 SLUG)	4.47€
09	28051006160	PLATINE ALU D16 M6	5.13€
11	20002060200	VIS TH 06X20 A2/PL3 INOX	0.60€
11	20009063000	VIS STHC 06X30 BOUT PLAT/PLD16 INOX	1.19€
12	20005060000	ECROU FREIN A2 M6	0.14€