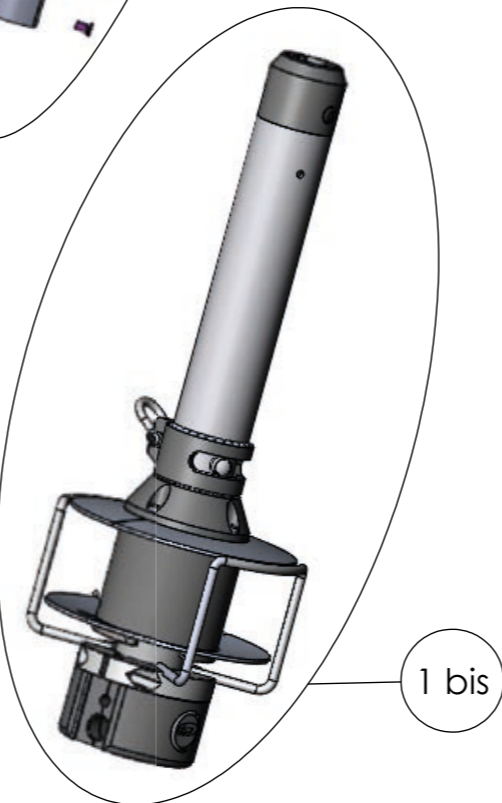
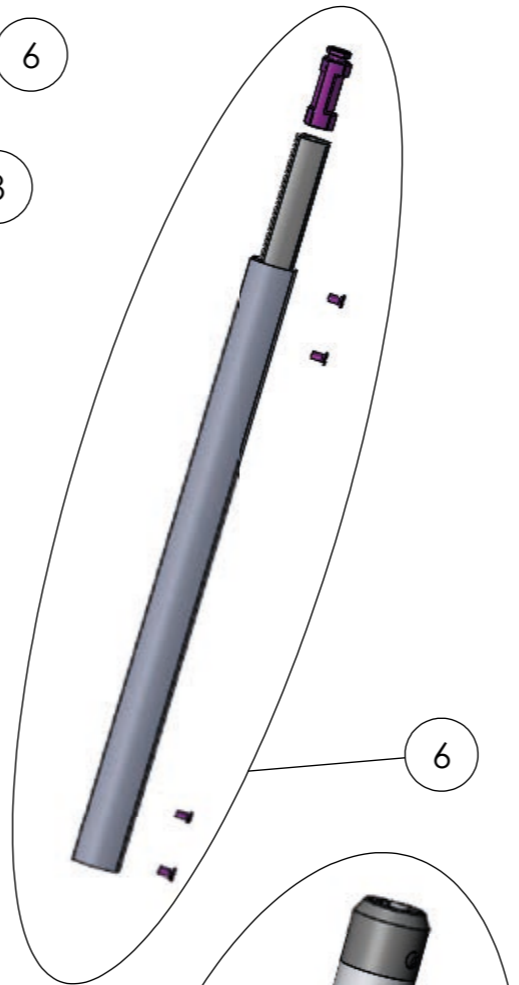
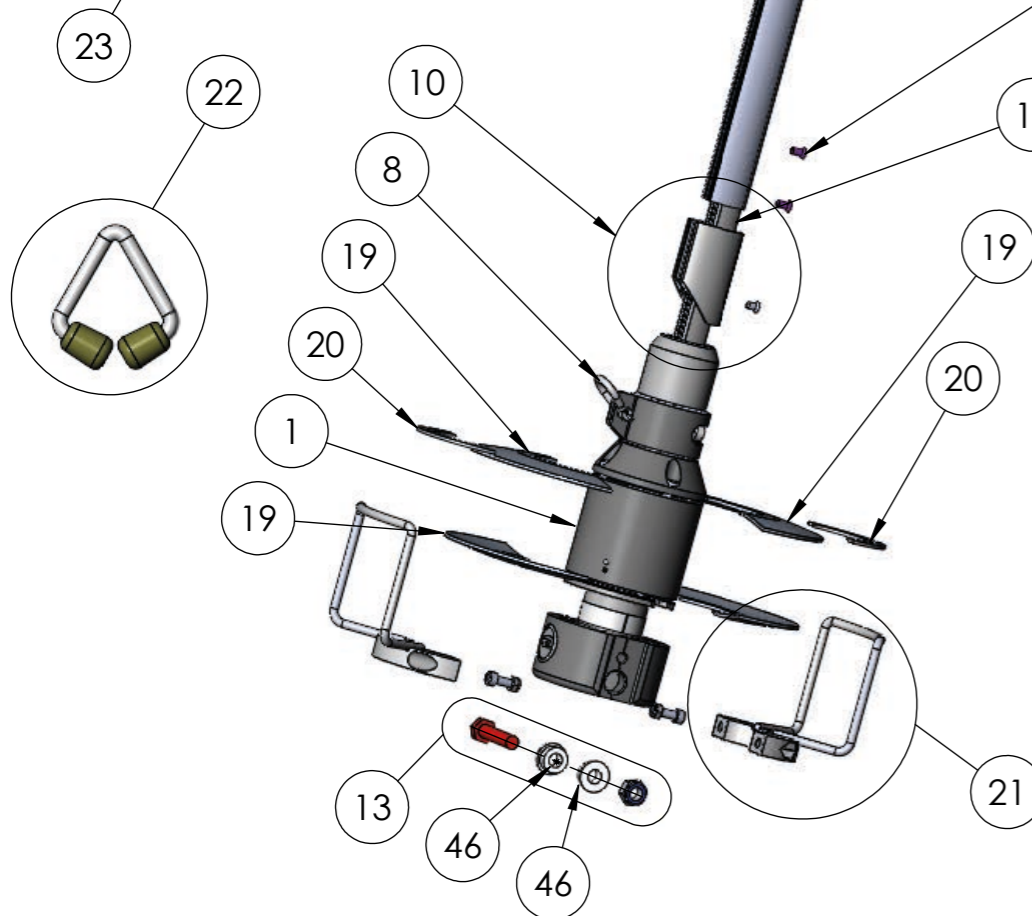
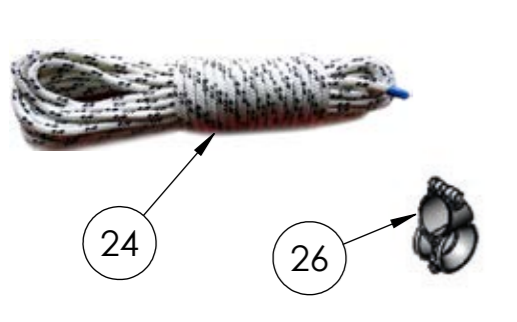
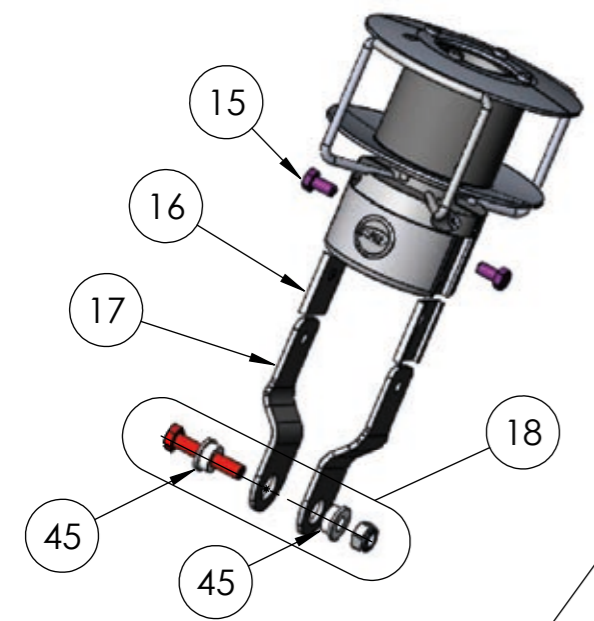


14 Montage avec option kit ridoir /  
Installation with link plate option



**ECLATE "ENROULEURS RX" - PIECES DETACHEES /  
EXPLODED VIEW OF "RX FURLING SYSTEM" - SPARE PARTS**



| Rep.  | Désignation                        | Description  |
|-------|------------------------------------|--|
| 1     | Tambour standard                   | Standard drum                                      |
| 1 bis | Tambour avec option aval ridoir    | Drum with internal turnbuckle option / torque tube |
| 2     | Emerillon                          | Swivel   |
| 3     | Rondelle déflecteur (RDD)          | Halyard deflector wheel (RDD)                      |
| 4     | Bouchon + plaque + pige            | Top cap + plate + pin                              |
| 5     | Palier                             | Bushing  |
| 6     | Kit profil externe double gorge    | Foil section kit                                   |
| 6 bis | Profil externe seul                | Twin groove foil section                           |
| 7     | Manille longue                     | Long shackle                                       |
| 8     | Manille lyre                       | Bow shackle  |
| 9     | Manchon                            | Connector  |
| 10    | Entrée de voile standard + vis     | Standard sail feeder + screw                       |
| 11    | vis TFHC (Profil)                  | Screw (Foil section)                               |
| 12    | Tubes télescopique                 | Telescopic section                                 |
| 13    | Axe + Ecrou + bague (montage std)  | Bottom pin + bolt bushings + bolt (std install.)   |
| 14    | Kit ridoir complet                 | Complete link plate kit                            |
| 15    | Vis H fixation latte (KR)          | Upper screw (LPK)                                  |
| 16    | Cale plastique isolante latte (KR) | Plastic strip (LPK)                                |
| 17    | Latte (KR)                         | Link plate (lpk)                                   |
| 18    | Axe + Ecrou + bague (KR)           | Bottom fixing pin + bolt + bushing (LPK)           |
| 19    | Demi flasque                       | Half plate   |
| 20    | Demi coupelle de remplacement      | Half protection ring                               |
| 21    | Demi pince fil                     | Half furling line guide                            |
| 22    | Kit prefender                      | Pefender kit                                       |
| 23    | Kit cordage complet                | Complete Furling Line                              |
| 24    | Cordage                            | Rope   |
| 26    | Filoir                             | Fairlead   |
| 45    | Bague axe (KR)                     | Ring for pin (LPK)                                 |
| 46    | Bague axe standard                 | Ring for standard pin                              |